

## IP REMOTE CONTROL SOFTWARE

Shows MAIN and SUB controls

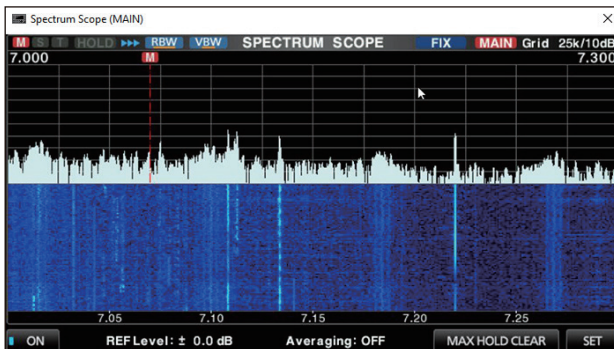
Click the indicator to change the settings

[MUTE] button added

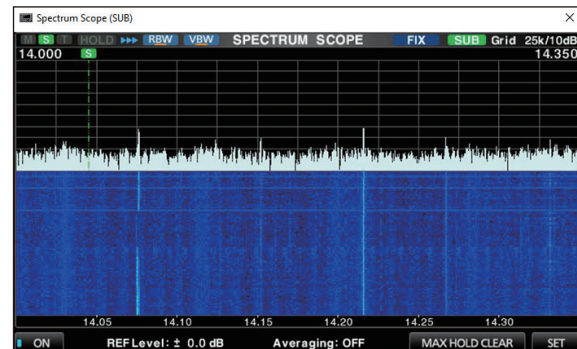


RIT tuning knob and  $\Delta$ TX functions added

SUB dial added



MAIN spectrum scope



SUB spectrum scope

### Dualwatch, Dual Spectrum Scope Control

The dualwatch operation and dual spectrum scopes with the waterfall functions\* can be used on your remote PC. MAIN and SUB spectrum scopes can be observed on the RS-BA1 at the same time. Of course, the RS-BA1 can be used with Icom single receiver transceivers.

\* The dualwatch and dual spectrum scope functions are only for the IC-7851, IC-7850 and IC-7610. The spectrum scope functions (single receive) are usable with the IC-7300, IC-9700, IC-705 and IC-905.

### Most Functions Can Be Controlled

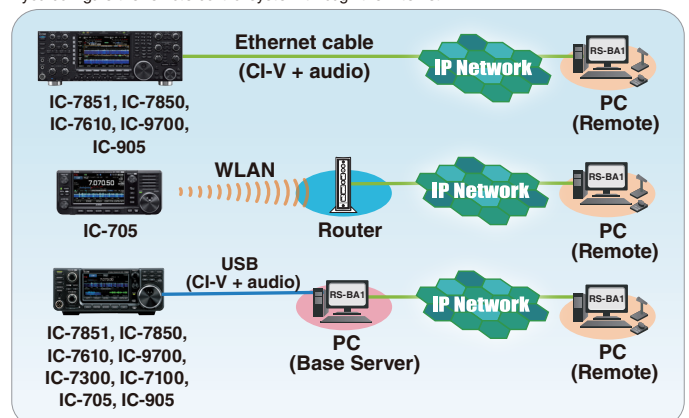
Most functions and modes of your transceiver, including interference rejection functions and IF filter settings, can be controlled using the CI-V commands. The following functions are added to the RS-BA1 Version 2.

- Panel size can be enlarged (Normal or large size selectable)
- Indicator click operation to change the settings
- RIT and  $\Delta$ TX functions
- [MUTE] button
- SUB dial

### Low Latency, High Quality Audio Over an IP Network

The RS-BA1 offers real-time operation with low latency, high quality audio. You can use the transceiver installed in another room using your home network, or even from a remote location over the Internet\*.

\* A static public IP address or Dynamic DNS is required for the base station (Server) PC, when you configure the remote control system through the Internet.



**FUNCTION COMPATIBILITY CHART**

	IC-7851 IC-7850	IC-7800 IC-7700	IC-7610	IC-7600	IC-7410 IC-9100	IC-7300	IC-7200	IC-7100	IC-9700	IC-705 IC-905
Dualwatch Function	✓	–	✓	–	–	–	–	–	–	–
Server Function	✓	✓	✓	–	–	–	–	–	✓	✓
Remote Power ON/OFF	✓	✓	✓	✓	–	✓	–	✓	✓	✓
Spectrum Waterfall Scope	✓	–	✓	–	–	✓	–	–	✓	✓
Scroll Mode	–	–	–	–	–	✓	–	–	✓	✓
APF AF Level Adjustment	✓	✓	✓	✓	–	–	–	–	–	–
CW Keyer	✓	✓	✓	✓	✓	✓	–	✓	✓	✓
Voice Recording/Playback	✓	✓	✓	✓	✓	✓	✓	✓	✓	✓
USB Dial with Optional RC-28	✓	✓	✓	✓	✓	✓	✓	✓	✓	✓

\* Depending on your transceiver, some functions or modes cannot be used, or you need to update the transceiver's firmware. Use the latest firmware version for your transceiver.

**MINIMUM SYSTEM REQUIREMENTS**

**PC (Base server station or Remote station)**

\* When only one transceiver and one PC are connected to the Server PC.

Operating System	Windows 11 (64 bit), Windows 10 (32/64 bit)
CPU	1.8 GHz Processor or better (multi-core for Windows 11)
Memory	Windows 11 (64 bit): 4 GB or more, Windows 10 (64 bit): 4 GB or more, Windows 10 (32 bit): 2 GB or more,
Hard disk space	150 MB or more of available disk space *The Voice Memory or Recording function will require more space.
Network data speed	To use the Dualwatch function (IC-7851/7850/7610)
For the Base station	Upload: 1.2 Mbps Download: 350 kbps, or faster
For the Remote station	Upload: 350 kbps Download: 1.2 Mbps, or faster
Other models (Other than the IC-7851/7850/7610)	
For the Base station	Upload: 500 kbps Download: 350 kbps, or faster
For the Remote station	Upload: 350 kbps Download: 500 kbps, or faster (When the default audio quality is used)
Display resolution	1024 x 768 pixels (enlargeable)
Other	Speaker and microphone or headset (purchase separately) On-board sound chipset recommended

**OPTIONAL ACCESSORY**

**RC-28 USB Remote Encoder**



- Adjustable dial sensitivity and auto tuning step (OFF/Low/High)
- Two programmable keys of four functions (Push/Hold down)
- Large PTT switch (Push to toggle/Hold down to transmit)
- The RC-28 will still operate in the background even if a different application (Such as logging software) is open



Operation image

- RS-BA1 SUPPLIED ITEMS**
- USB flash drive (#22) or CD (#12) (including RS-BA1 installer, instruction manual, USB driver and USB driver installation guide)
  - USB cable (A-B type)      • Installation guides

Note for original version RS-BA1 users: Free upgrade service from RS-BA1 to RS-BA1 Version 2 is not available. To obtain the new features in the RS-BA1 Version 2, the purchase of a new software package is required.

All stated features, screen shots, and specifications may be subject to change without notice or obligation. Icom and Icom logo are registered trademarks of Icom Incorporated (Japan) in Japan, the United States, the United Kingdom, Germany, France, Spain, Russia, Australia, New Zealand and/or other countries. Windows is a trademark of the Microsoft group of companies.

**Icom Inc.** 1-1-32, Kamiminami, Hirano-Ku, Osaka 547-0003, Japan Phone: +81 (06) 6793 5302 Fax: +81 (06) 6793 0013

[www.icomjapan.com](http://www.icomjapan.com)

**Icom America Inc.**  
[www.icomamerica.com](http://www.icomamerica.com)

**Icom (Europe) GmbH**  
[www.icomeurope.com](http://www.icomeurope.com)

**Icom (Australia) Pty. Ltd.**  
[www.icom.net.au](http://www.icom.net.au)

Your local distributor/dealer:

**Icom Canada**  
[www.icomcanada.com](http://www.icomcanada.com)

**Icom Spain S.L.**  
[www.icomspain.com](http://www.icomspain.com)

**Shanghai Icom Ltd.**  
[www.bjicom.com](http://www.bjicom.com)

**Icom Brazil**  
E-mail: [sales@icombrasil.com](mailto:sales@icombrasil.com)

**Icom (UK) Ltd.**  
[www.icomuk.co.uk](http://www.icomuk.co.uk)

**Icom France s.a.s.**  
[www.icom-france.com](http://www.icom-france.com)